

# TYPE E-75RS AND RSX - 3/8" to 2" Sizes

The BARCO E-75 RS and E-75 RSX (extra life) Series incorporate state-of-the-art sealing technology for use on water applications. This product is primarily used in the printing, paper, rubber, plastics and steel processing industries.

## Special Design Features

- Dry Run Capability
- Silicon carbide to carbon graphite mechanical seals.
- For abrasive applications, silicon carbide to silicon carbide mechanical seals.
- Available in Mono-Flow and Duo-Flow configurations.
- Seals are user replaceable.
- Sizes from 3/8" to 2"
- Available in US and metric thread specifications

## Maintenance

The only maintenance required of the BARCO E-75RS and E-75RSX Series is occasional lubrication. of the ball bearings. **DO NOT OVER-LUBRICATE.**

Part numbers shown are for joints used at temperatures up to +225° F(+107° C). For joints rated up to +350° F(+177° C), change the part number suffix from -01 to -04. Please specify service conditions when ordering.

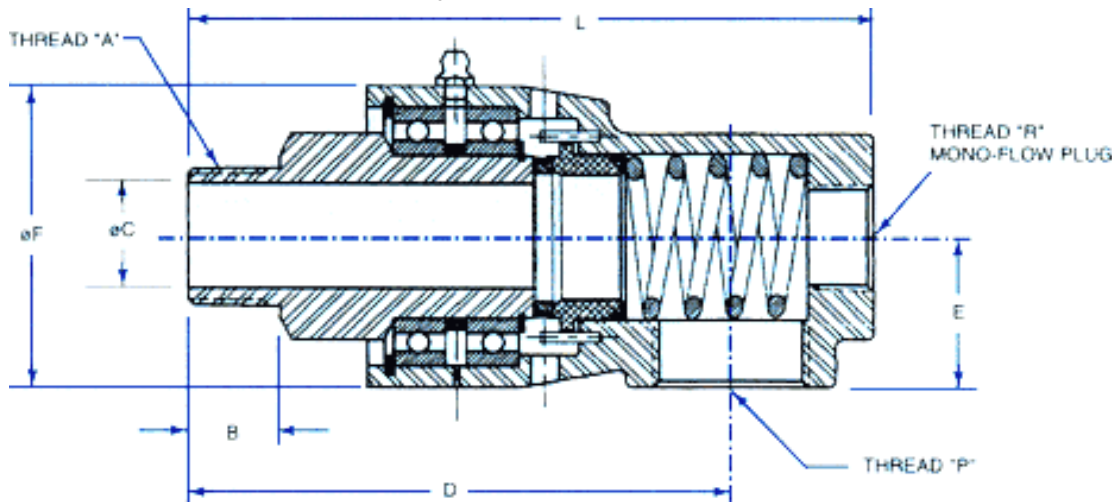
## Ratings

Pressure: 150 psi (10.5kg/cm<sup>2</sup>)  
 Temp.: +225° F(+107° C) -01 part num. suffix  
 +350° F(+177° C) -04 part num. suffix

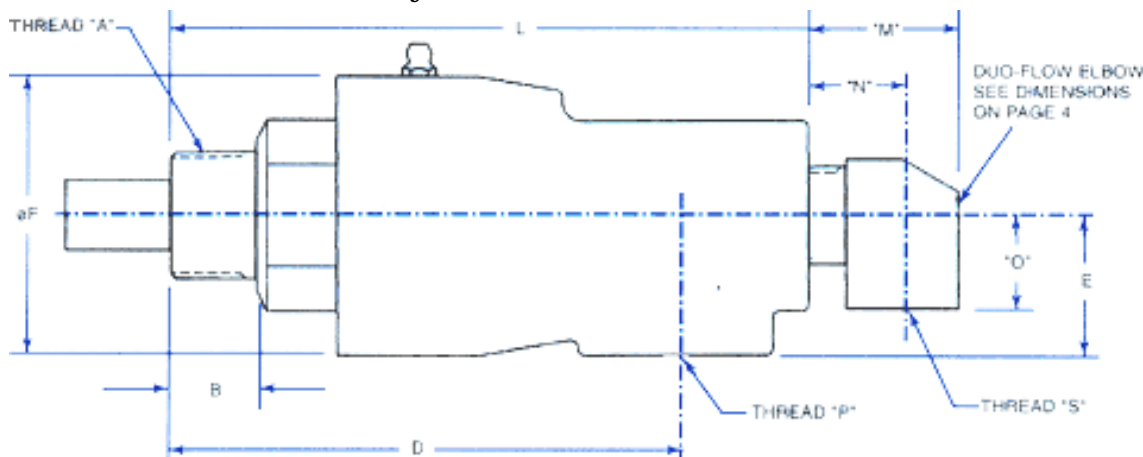
RPM  
 3/8", 1/2", 3/4" Sizes - 3500 RPM  
 1" Size - 3000 RPM  
 1-1/4" and 1-1/2" Sizes - 2500 RPM  
 2" Size - 750 RPM

For larger sizes see E-75RS 2-1/2" & E-75RS 3"

## Mono-Flow Water Rotary Union



## Duo-Flow Water Rotary Union



| Joint Size    | E-75 RS Part Number | E-75 RSX Part Number | Thread A             | B      | C      | D     | E    | F     | L     | P              | R          |
|---------------|---------------------|----------------------|----------------------|--------|--------|-------|------|-------|-------|----------------|------------|
| 3/8           | BC32000-06-01       | BC33000-06-01        | 5/8"-18UNF-2A R.H.   | .50    | .38    | 3.32  | .91  | 1.81  | 3.99  | 3/8" NPT       | 1/4" NPT   |
|               | BC32001-06-01       | BC33001-06-01        | 5/8"-18UNF-2A L.H.   | (12.7) | (9.6)  | (84)  | (23) | (46)  | (101) |                |            |
|               | BC32002-06-01       | BC33002-06-01        | 3/8"-18NPT R.H.      | .56    | .38    | 3.32  | .91  | 1.81  | 3.99  |                |            |
|               | BC32003-06-01       | BC33003-06-01        | 3/8"-18NPT L.H.      | (14.2) | (9.6)  | (84)  | (23) | (46)  | (101) |                |            |
|               | BC32100-06-01       | BC33100-06-01        | 3/8" BSP R.H.        | .56    | .38    | 3.32  | .91  | 1.81  | 3.99  |                |            |
|               | BC32101-06-01       | BC33101-06-01        | 3/8" BSP L.H.        | (14.2) | (9.6)  | (84)  | (23) | (46)  | (101) |                |            |
| 1/2           | BC32000-08-01       | BC33000-08-01        | 3/4"-16UNF-2A R.H.   | .69    | .50    | 3.90  | 1.13 | 2.25  | 4.69  | 3/4" NPT       | 1/2" NPT   |
|               | BC32001-08-01       | BC33001-08-01        | 3/4"-16UNF-2A L.H.   | (17.5) | (12.7) | (99)  | (29) | (57)  | (119) |                |            |
|               | BC32002-08-01       | BC33002-08-01        | 1/2" NPT R.H.        | 1.00   | .50    | 4.19  | 1.13 | 2.25  | 4.98  |                |            |
|               | BC32003-08-01       | BC33003-08-01        | 1/2" NPT L.H.        | (25.4) | (12.7) | (106) | (29) | (57)  | (126) |                |            |
|               | BC32100-08-01       | BC33100-08-01        | 1/2" BSP R.H.        | .75    | .50    | 3.96  | 1.13 | 2.25  | 4.75  |                |            |
|               | BC32101-08-01       | BC33101-08-01        | 1/2" BSP L.H.        | (19.1) | (12.7) | (101) | (29) | (57)  | (121) |                |            |
|               | BC32162-08-01       | BC33162-08-01        | M22 x 1.5 R.H.       | .62    | .50    | 3.83  | 1.13 | 2.25  | 4.62  |                |            |
|               | BC32163-08-01       | BC33163-08-01        | M22 x1.5 L.H.        | (15.7) | (12.7) | (97)  | (29) | (57)  | (117) |                |            |
| 3/4           | BC32000-12-01       | BC33000-12-01        | 1"-14UNS-2A R.H.     | .69    | .66    | 4.44  | 1.44 | 2.88  | 5.44  | 3/4" NPT       | 1/2" NPT   |
|               | BC32001-12-01       | BC33001-12-01        | 1"-14UNS-2A L.H.     | (17.5) | (16.7) | (113) | (37) | (73)  | (138) |                |            |
|               | BC32002-12-01       | BC33002-12-01        | 3/4" NPT R.H.        | 1.00   | .66    | 4.75  | 1.44 | 2.88  | 5.75  |                |            |
|               | BC32003-12-01       | BC33003-12-01        | 3/4" NPT L.H.        | (25.4) | (16.7) | (121) | (37) | (73)  | (146) |                |            |
|               | BC32100-12-01       | BC33100-12-01        | 3/4" BSP R.H.        | .75    | .66    | 4.50  | 1.44 | 2.88  | 5.50  |                |            |
|               | BC32101-12-01       | BC33101-12-01        | 3/4" BSP L.H.        | (19.1) | (16.7) | (114) | (37) | (73)  | (140) |                |            |
|               | BC32162-12-01       | BC33162-12-01        | M35 x 1.5 R.H.       | .62    | .66    | 5.00  | 1.44 | 2.88  | 6.00  |                |            |
| BC32163-12-01 | BC33163-12-01       | M35 x1.5 L.H.        | (15.7)               | (16.7) | (127)  | (37)  | (73) | (152) |       |                |            |
| 1             | BC32025-16-01       | BC33025-16-01        | 1" NPT R.H.          | 1.12   | 1.00   | 5.46  | 1.62 | 3.25  | 6.89  | 1"-11-1/2" NPT | 3/4" NPT   |
|               | BC32026-16-01       | BC33026-16-01        | 1" NPT L.H.          | (28.4) | (25.4) | (139) | (41) | (82)  | (175) |                |            |
|               | BC32034-16-01       | BC33034-16-01        | 1-1/2"-12 UNF R.H.   | 1.12   | 1.00   | 5.46  | 1.62 | 3.25  | 6.89  |                |            |
|               | BC32035-16-01       | BC33035-16-01        | 1-1/2"-12 UNF L.H.   | (28.4) | (25.4) | (139) | (41) | (82)  | (175) |                |            |
|               | BC32100-16-01       | BC33100-16-01        | 1" BSP R.H.          | .87    | .88    | 5.46  | 1.62 | 3.25  | 6.89  |                |            |
|               | BC32101-16-01       | BC33101-16-01        | 1" BSP L.H.          | (22.1) | (22.4) | (139) | (41) | (82)  | (175) |                |            |
|               | BC32162-16-01       | BC33162-16-01        | M35 x 1.5 R.H.       | 1.12   | 1.00   | 5.46  | 1.62 | 3.25  | 6.89  |                |            |
| BC32163-16-01 | BC33163-16-01       | M35 x1.5 L.H.        | (28.4)               | (25.4) | (139)  | (41)  | (82) | (175) |       |                |            |
| 1-1/4         | BC32000-20-01       | BC33000-20-01        | 1-3/4"-12 UN-2A R.H. | 1.13   | 1.25   | 6.00  | 1.78 | 3.56  | 7.69  | 1-1/4" NPT     | 1" NPT     |
|               | BC32001-20-01       | BC33001-20-01        | 1-3/4"-12UN-2A L.H.  | (28.7) | (31.7) | (152) | (45) | (90)  | (195) |                |            |
|               | BC32002-20-01       | BC33002-20-01        | 1-1/4"-NPT R.H.      | 1.13   | 1.25   | 6.00  | 1.78 | 3.56  | 7.69  |                |            |
|               | BC32003-20-01       | BC33003-20-01        | 1-1/4" -NPT L.H.     | (28.7) | (31.7) | (152) | (45) | (90)  | (195) |                |            |
|               | BC32100-20-01       | BC33100-20-01        | 1-1/4" BSP R.H.      | 1.13   | 1.25   | 6.00  | 1.78 | 3.56  | 7.69  |                |            |
|               | BC32101-20-01       | BC33101-20-01        | 1-1/4" BSP L.H.      | (28.7) | (31.7) | (152) | (45) | (90)  | (195) |                |            |
| 1-1/2         | BC32000-24-01       | BC33000-24-01        | 2"-12UN-2A R.H.      | 1.06   | 1.50   | 6.48  | 1.84 | 3.68  | 8.19  | 1-1/2" NPT     | 1" NPT     |
|               | BC32001-24-01       | BC33001-24-01        | 2"-12UN-2A L.H.      | (26.9) | (38.1) | (164) | (47) | (93)  | (203) |                |            |
|               | BC32002-24-01       | BC33002-24-01        | 1-1/2"-NPT R.H.      | 1.13   | 1.50   | 6.54  | 1.84 | 3.68  | 8.07  |                |            |
|               | BC32003-24-01       | BC33003-24-01        | 1-1/2"-NPT L.H.      | (28.7) | (38.1) | (166) | (47) | (93)  | (205) |                |            |
|               | BC32100-24-01       | BC33100-24-01        | 1-1/2" BSP R.H.      | 1.14   | 1.38   | 6.48  | 1.84 | 3.68  | 8.01  |                |            |
|               | BC32101-24-01       | BC33101-24-01        | 1-1/2" BSP L.H.      | (28.9) | (35.1) | (164) | (47) | (93)  | (203) |                |            |
|               | BC32162-24-01       | BC33162-24-01        | M50 x 1.5 R.H.       | .87    | 1.50   | 6.54  | 1.84 | 3.68  | 8.07  |                |            |
|               | BC32163-24-01       | BC33163-24-01        | M50 x1.5 L.H.        | (22.1) | (38.1) | (166) | (47) | (93)  | (205) |                |            |
| 2             | BC32002-32-01       | BC33002-32-01        | 2" NPT R.H.          | 1.19   | 1.75   | 7.73  | 2.31 | 4.62  | 9.97  | 2" NPT         | 1-1/4" NPT |
|               | BC32003-32-01       | BC33003-32-01        | 2" NPT L.H.          | (30.2) | (44.4) | (196) | (59) | (117) | (253) |                |            |
|               | BC32108-32-01       | BC33108-32-01        | Quick Release        |        |        |       |      |       |       |                |            |

All dimensions in inches. For larger sizes see E-75RS 2-1/2" & E-75RS 3"

**Note:** Special or extended sleeves are available, consult the factory.

**Note:** BSP Threads conform to ISO R288 and DIN 259 for parallel pipe threads.