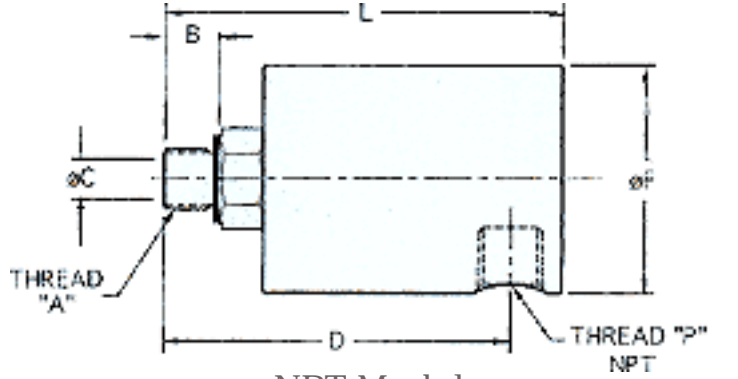


TYPE E-1

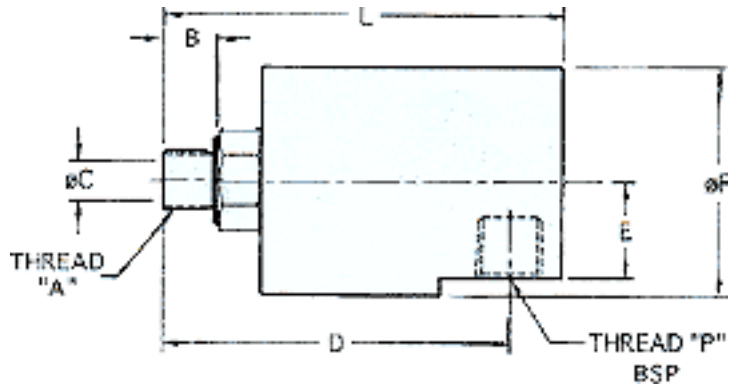
The BARCO E-1 rotary union is a dependable, economical, connection for many air, coolant, and hydraulic applications where speeds do not exceed 3500 RPM. It will handle hydraulic pressures up to 100 psi (10.3 BAR) in pneumatic use. Typical applications for the E-1 are clutches, index tables and machine tools.

Special Design Features

- Felt oil wick for seal face lubrication on pneumatic application.
- Anodized aluminum casing for corrosion resistance.
- Carbon graphite to hardened steel mechanical seals.
- Available in US and metric thread specifications.
- Low torque, for smooth running operation at high speeds.
- Oversized, widely spaced ball bearing are lubricated for life.



NPT Model



BSP Model

Union Size	Part Number NPT Model	Part Number BSP Model	Thread A	B	C	D	E	F	L	P Thread
1/4"	BC54623-04-01	BC54644-04-01	5/8"-18UNF R.H.	.44"	.25"	3.00"	.68"	1.62"	3.75"	1/4"
	BC54624-04-01	BC54645-04-01	5/8"-18UNF L.H.	(11.1)	(6.3)	(76)	(17)	(41)	(95)	
	BC54621-04-01	BC54646-04-01	1/4" -NPT R.H.	.72"	.25"	3.29"	.68"	1.62"	4.04"	
	BC54622-04-01	BC54647-04-01	1/4" -NPT L.H.	(18.2)	(6.3)	(84)	(17)	(41)	(103)	
	BC54640-04-01	BC54648-04-01	1/4" -BSP R.H.	.51"	.25"	3.07"	.68"	1.62"	4.04"	
	BC54641-04-01	BC54649-04-01	1/4" -BSP L.H.	(12.9)	(6.3)	(78)	(17)	(41)	(103)	
3/8"	BC54636-06-01	BC54644-06-01	5/8"-18UNF R.H.	.50"	.34"	3.61"	.78"	1.85"	4.19"	3/8"
	BC54637-06-01	BC54645-06-01	5/8"-18UNF L.H.	(12.7)	(8.6)	(92)	(20)	(47)	(106)	
	BC54638-06-01	BC54646-06-01	3/8" -NPT R.H.	.56"	.34"	3.61"	.78"	1.85"	4.19"	
	BC54639-06-01	BC54647-06-01	3/8" -NPT L.H.	(14.2)	(8.6)	(92)	(20)	(47)	(106)	
	BC54640-06-01	BC54648-06-01	3/8" -BSP R.H.	.56"	.34"	3.61"	.78"	1.85"	4.19"	
	BC54641-06-01	BC54649-06-01	3/8" -BSP L.H.	(14.2)	(8.6)	(92)	(20)	(47)	(106)	
1/2"	BC54636-08-01	BC54644-08-01	3/4"-16UNF R.H.	.75"	.50"	4.48"	1.30"	2.88"	5.14"	1/2"
	BC54637-08-01	BC54645-08-01	3/4" -16UNF L.H.	(19)	(12.7)	(114)	(33)	(73)	(131)	
	BC54638-08-01	BC54646-08-01	1/2" -NPT R.H.	.88"	.50"	4.61"	1.30"	2.88"	5.26"	
	BC54639-08-01	BC54647-08-01	1/2" -NPT L.H.	(22.3)	(12.7)	(117)	(33)	(73)	(134)	
	BC54640-08-01	BC54648-08-01	1/2" -BSP R.H.	.75"	.50"	4.48"	1.30"	2.88"	5.14"	
	BC54641-08-01	BC54649-08-01	1/2" -BSP L.H.	(19.0)	(12.7)	(114)	(33)	(73)	(131)	
	BC54650-08-01	BC54654-08-01	1"-14UNS R.H.	.75"	.50"	4.48"	1.30"	2.88"	5.14"	
	BC54651-08-01	BC54655-08-01	1" -14UNS L.H.	(19)	(12.7)	(114)	(33)	(73)	(131)	
	BC54652-08-01	BC54656-08-01	3/4" -NPT R.H.	.88"	.50"	4.61"	1.30"	2.88"	5.26"	
BC54653-08-01	BC54657-08-01	3/4" -BSP L.H.	(22.3)	(12.7)	(117)	(33)	(73)	(134)		