

# BLS ROTARY UNIONS

## 20,000 RPM Bearingless Design

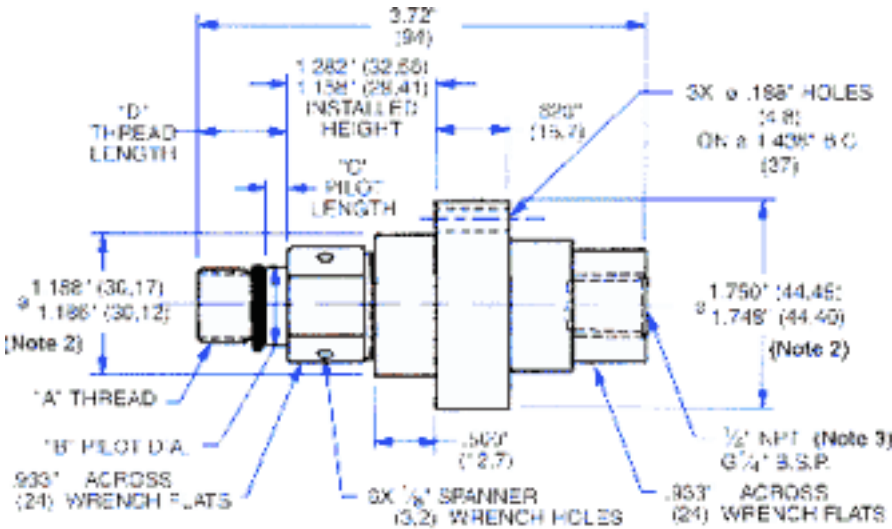
The BARCO BLS Rotary Union is designed to supply coolant to high speed, multi-spindle heads and independent box spindles on automotive transfer lines. Dial machines and gun drills are also potential applications.

The BARCO BLS Rotary Union is a bearingless design which requires an external bracket for accurate alignment. Conventional ball bearing rotary unions are often piped incorrectly which leads to premature failure. The rigid support of the BLS Rotary Union eliminates this mode of failure and substantially increases the length of service. The BARCO BLS Rotary Union can be used on new equipment or on a retrofit of other manufacturers coolant unions.

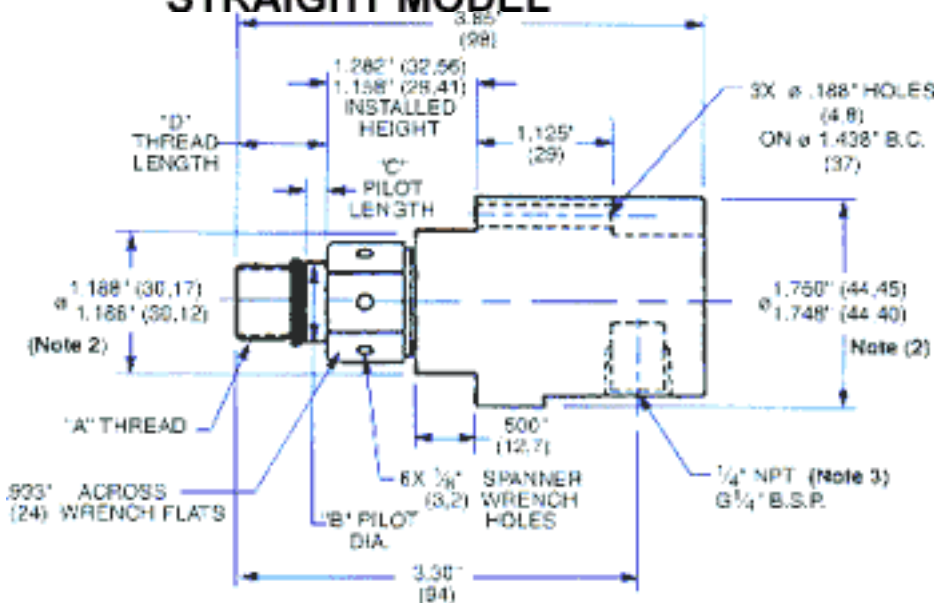
Union exerts a thrust load of 100 lbs. at 1000 PSI on the spindle.

### Special Design Features

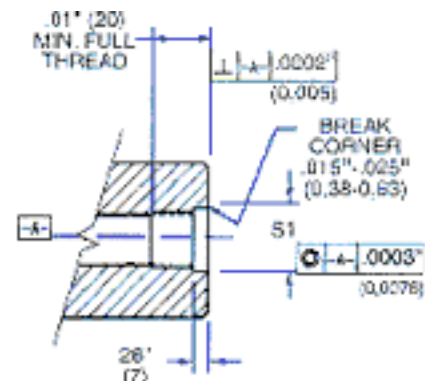
- Silicon carbide to silicon carbide mechanical seals.
- Color coded housing identifies mounting thread.
- Two piece design for both new and retrofit installations.
- Models available to interchange with competitors' unions.
- Can run at maximum speed and pressure simultaneously.



## STRAIGHT MODEL



## 90° Model



## SPINDLE END DETAIL

Style NPT	Part Number	Color	"A" Thread	"B" Pilot Dia.	"C" Pilot Length	"D" Thread Length	S1
STR.	BC-548012-04-06	green	M10 x 1.0 LH	.4370"-.4375" (11.100-11.112)	.188" (4.78)	.750" (19)	.4377"-.4381" (11.118-11.128)
90°	BC-548072-04-06						
STR.	BC-548032-04-06	RED	M12 x 1.25 LH	.5300"-.5305" (13.462-13.475)	.188" (4.78)	.750" (19)	.5307"-.5311" (13.479-13.490)
90°	BC-548092-04-06						
STR.	BC-548052-04-06	Black	M16 x 1.5 LH	.7078"-.7083" (17.978-17.993)	.188" (4.78)	.621" (15.7)	.7085" - .7087" (17.995-18.000)
90°	BC-548112-04-06						
STR.	BC-548152-04-06	Gold	5/8"-18 UNF LH	.6550"-.6555" (16.637-16.650)	.188" (4.78)	.750" (19)	.6556" - .6560" (16.652-16.663)
90°	BC-548192-04-06						

Special threads available. Contact BARCO

Note 2: Union can be piloted on either diameter, Contact BARCO for mounting information.

Note 3: BSP(P) hose connection is available. Contact BARCO