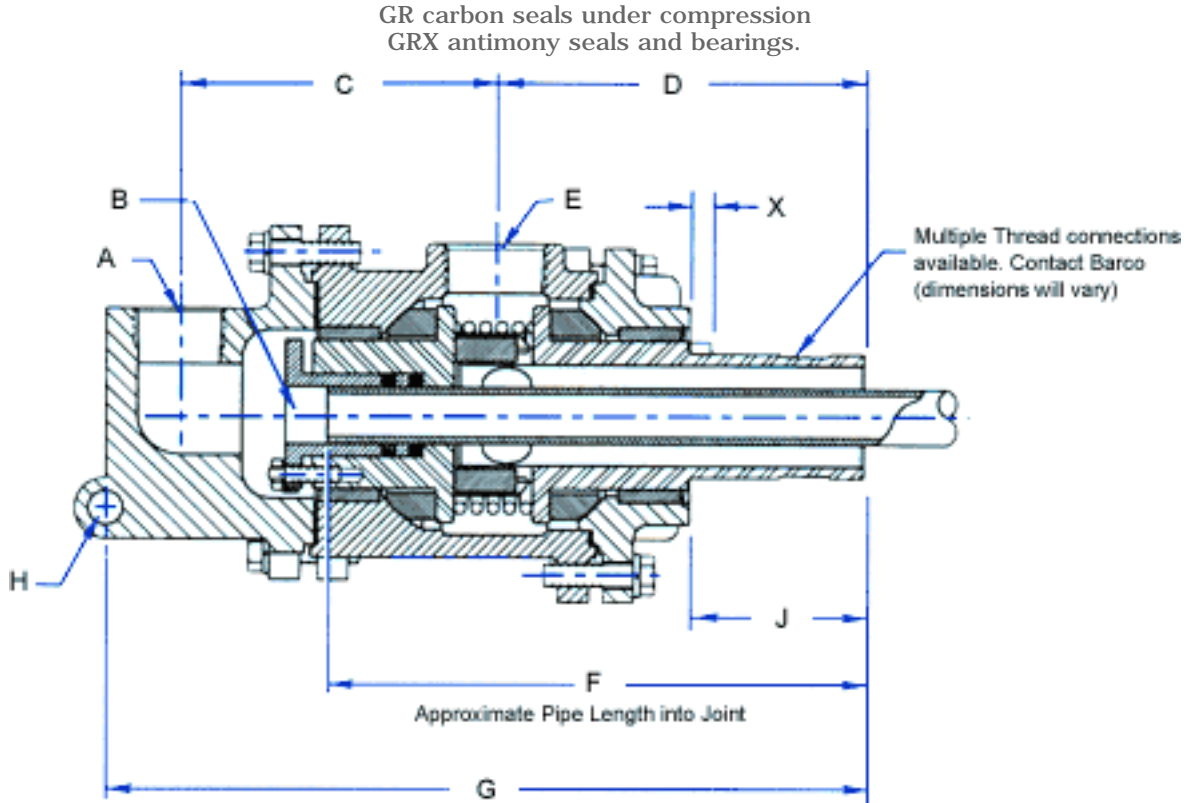


TYPE GR

GR and GRX Rotary Steam Joints for rotary syphons sizes 2", 2-1/2" and 3"

GR Special Design Features

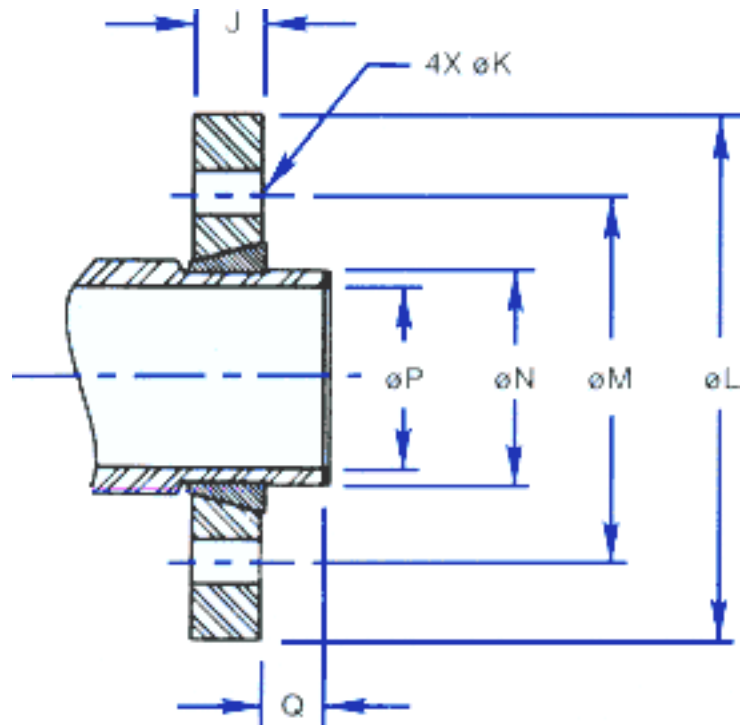
- Antimony seals and bearings in the GRX provide longer life, especially on higher speed machines.
- Sleeves are dual driven by two keys to give greater resistance to side load and eccentric motion.
- External seal wear indicator for preventive maintenance.
- All wear surfaces are treated for improved corrosion resistance.
- Directly interchangeable with competitive designs.
- Seal under compression design can better handle pressure surges and promotes longer life.



Joint Size	GR Joint Part Number	GRX Joint Part Number	A Thread NPT	B* Syphon	C	D	E Thread NPT	F	G	H	J	K							
2"	BC-56343-32-62	BC-56743-32-62	1"	3/4"	5.75"	6.88"	1-1/2"	10.00"	13.75"	.62"	3.16"	.44"							
	BC-56354-32-62	BC-56754-32-62	1-1/4"	1"	146	175		254	349	16	80	11							
2-1/2"	BC-56343-40-62	BC-56743-40-62	1"	3/4"	6.44"	7.25"	2"	10.75"	14.79"	.69"	3.06"	.41"							
	BC-56344-40-62	BC-56744-40-62	1"	1"									163	184	273	376	17	78	10
3"	BC-56354-48-62	BC-56754-48-62	1-1/4"	1"	6.81"	7.51"	2-1/2"	10.75"	15.88"	.69"	2.93"	.41"							
	BC-56355-48-62	BC-56755-48-62	1-1/4"	1-1/4"									173	191	273	403	17	74	10
	BC-56366-48-62	BC-56766-48-62	1-1/2"	1-1/2"															

*Other syphon sizes available, contact Barco.

Flange Detail for
GR, GRX and Super G



Joint Size	Part Number*	J	ÆK	ÆL	ÆM	ÆN	ÆP	Q
1-1/4"	10-64034-43	.62" (16)	.56" (14)	5.50" (140)	3.50" (89)	1.620" - 1.622" (41.15 - 41.20)	1.25" (32)	.500" (13)
1-1/2"	10-64035-43	.69" (17)	.56" (14)	5.50" (140)	3.58" (98)	1.870" - 1.872" (47.50 - 47.55)	1.50" (38)	.500" (13)
2"	10-64036-43	.75" (19)	.56" (14)	6.81" (173)	4.75" (121)	2.318" - 2.320" (58.88 - 58.93)	1.88" (48)	.625" (16)
2-1/2"	10-64037-43	.88" (22)	.56" (14)	6.75" (171)	4.75" (121)	2.836" - 2.838" (72.03 - 72.08)	2.38" (60)	.748" (19)
3"	10-64038-43	.94" (24)	.69" (18)	8.00" (203)	6.75" (171)	3.428" - 3.430" (87.07 - 87.12)	2.88" (73)	.878" (22)

*Kit consists of split wedges, flange and gasket.
Special flanges available on request, contact Barco.