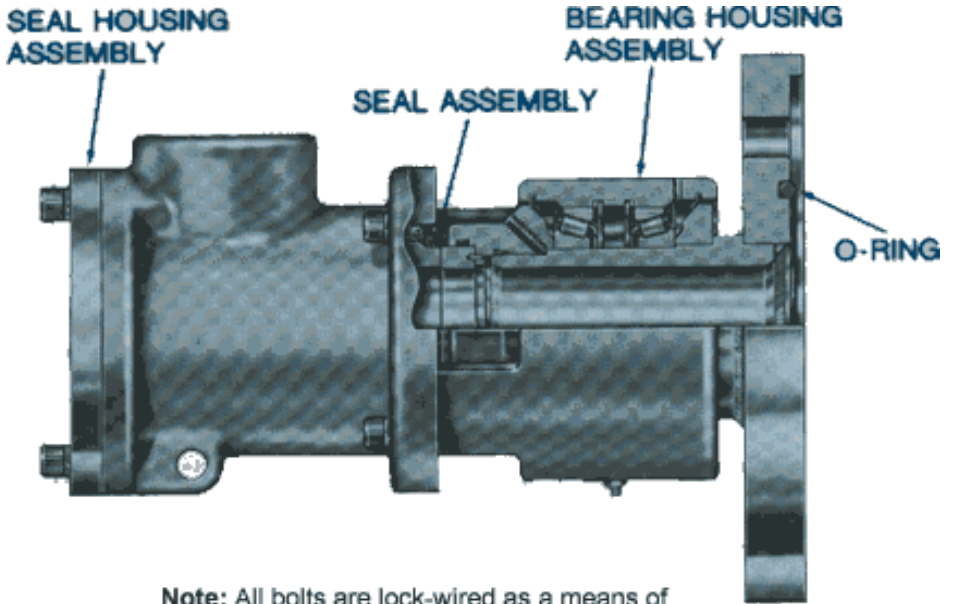


TYPE EC

Recognizing the need for a rotary joint to withstand the increasing demands of calender operation, i.e., increasing speeds, web breaks, high stock loads, vibration and high internal flow velocity. BARCO has designed the type EC rotary joints in both mono-flow and duo-flow varieties. These joints are rated for water service at 150 psi (10.3 BAR), +300° F (+149° C), and 750 RPM.

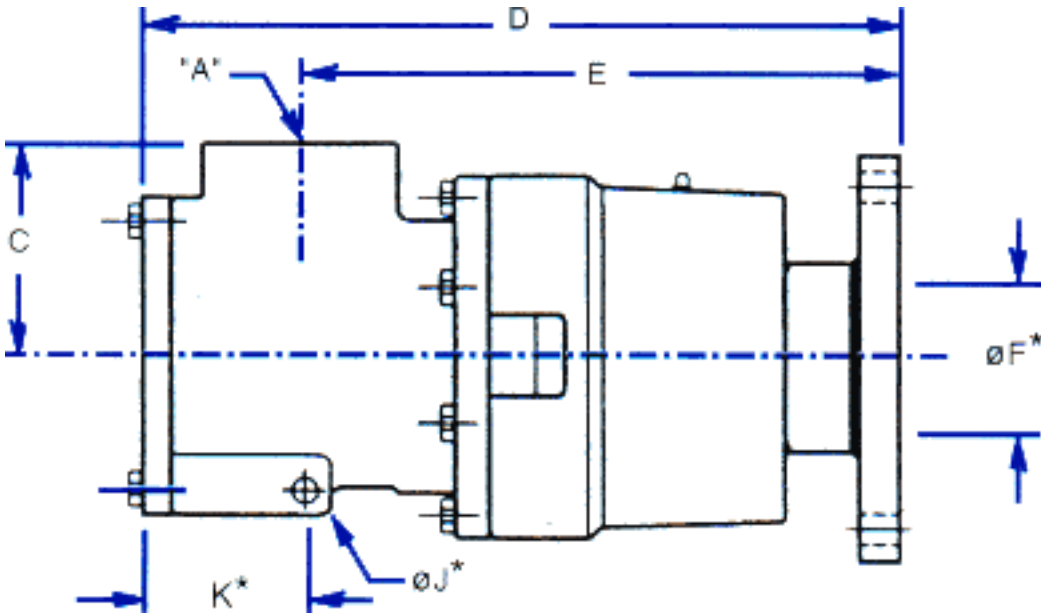
Special Design Features

- Banded carbon seal for shock resistance.
- Heavy-duty tapered roller bearings for longer life at high speeds.
- A special high density seal permits superior seal alignment and sealing capability.
- Available in Mono-Flow and Duo-Flow styles for both fixed and rotating internal water pipes.
- Special mounting flanges to accommodate retrofits.



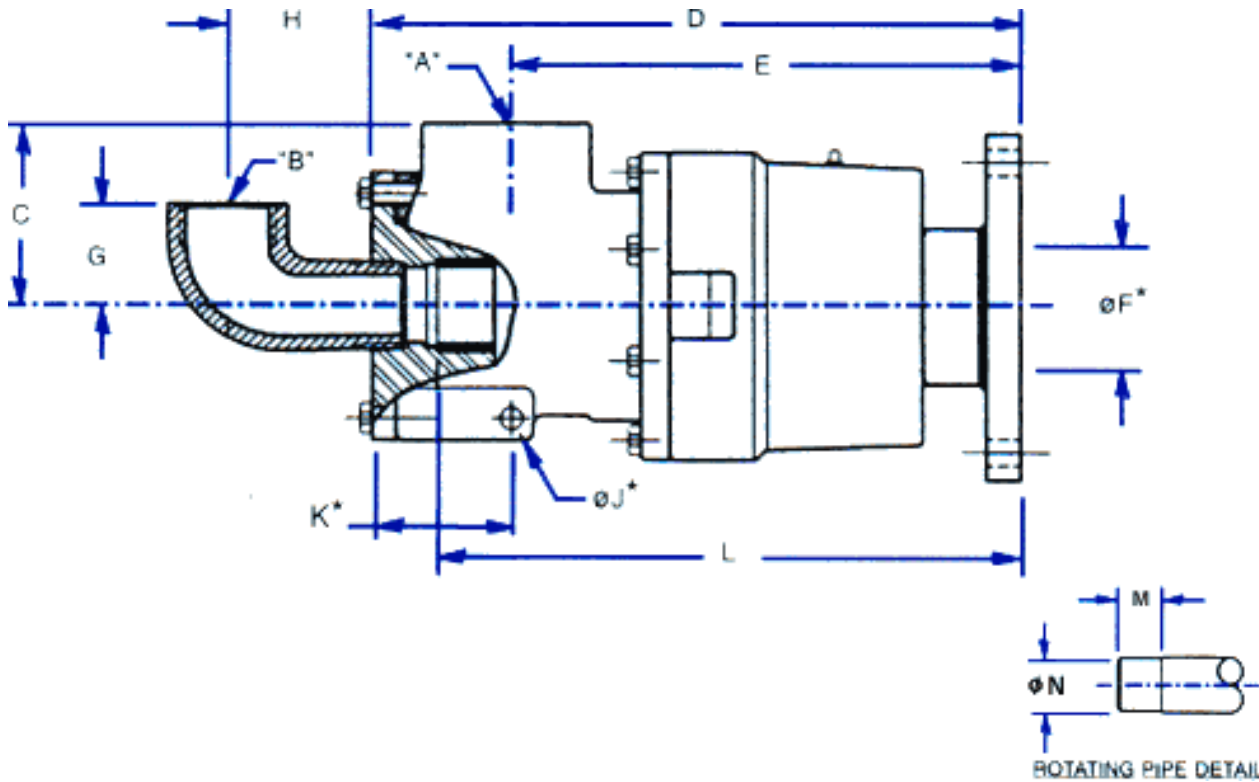
Note: All bolts are lock-wired as a means of preventing loosening due to vibration.

Mono-Flow



Union Size & "A" Thd. NPT	Mono-Flow Part Number	C	D	E	ÆF*	ÆJ*	K*
2	BC-60000-32-04	3.25" (83)	12.19" (310)	9.68" (246)	2.00" (51)	.51" (13)	2.00" (51)
2-1/2	BC-60000-40-04	4.50" (114)	16.69" (424)	13.11" (333)	3.00" (76)	.56" (14)	3.31" (84)
3	BC-60000-48-04	4.50" (114)	16.69" (424)	13.11" (333)	3.00" (76)	.56" (14)	2.69" (68)
4	BC-60000-64-04	5.25" (133)	20.00" (508)	15.56" (395)	4.00" (102)	.66" (17)	3.19" (81)

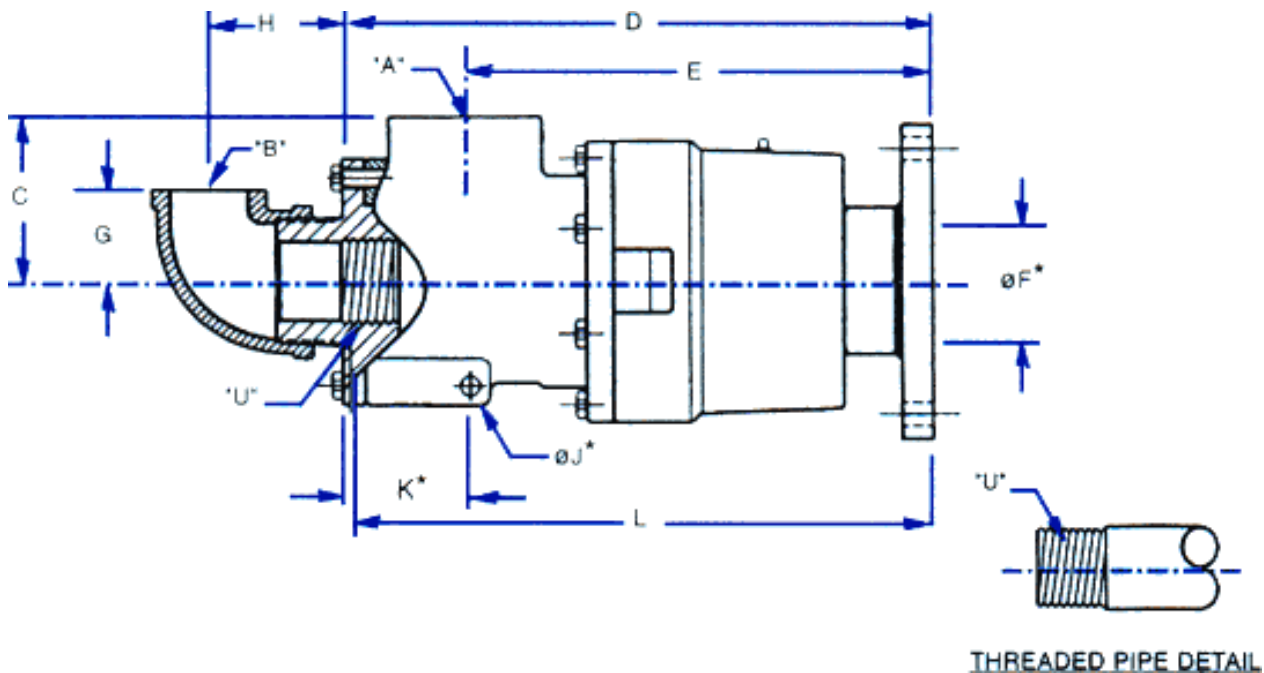
Duo-Flow Rotating Pipe



Union Size & "A" Thd. NPT	Duo-Flow Part Number	B Thread NPT	C	D	E	G	H	L	M	ÆN ±.002" (±.05)
2"	BC-60003-32-04	1"	3.25" (83)	12.19" (310)	9.68" (246)	1.63" (41)	1.88" (48)	10.94" (278)	1.75" (44)	1.243" (31.57)
2-1/2"	BC-60039-40-04	1-1/2"	4.50" (114)	16.69" (424)	13.11" (333)	2.13" (54)	2.44" (62)	13.25" (337)	1.75" (44)	1.865" (47.37)
3"	BC-60040-48-04	2"	4.50" (114)	16.69" (424)	13.11" (333)	2.13" (54)	2.44" (62)	17.06" (433)	1.75" (44)	2.306" (58.57)
4"	BC-60040-64-04	2-1/2"	5.25" (133)	20.00" (508)	15.56" (395)	2.94" (75)	3.56" (90)	17.06" (433)	2.50" (64)	2.743" (69.67)

*Denotes dimensions listed on Mono-Flow chart.

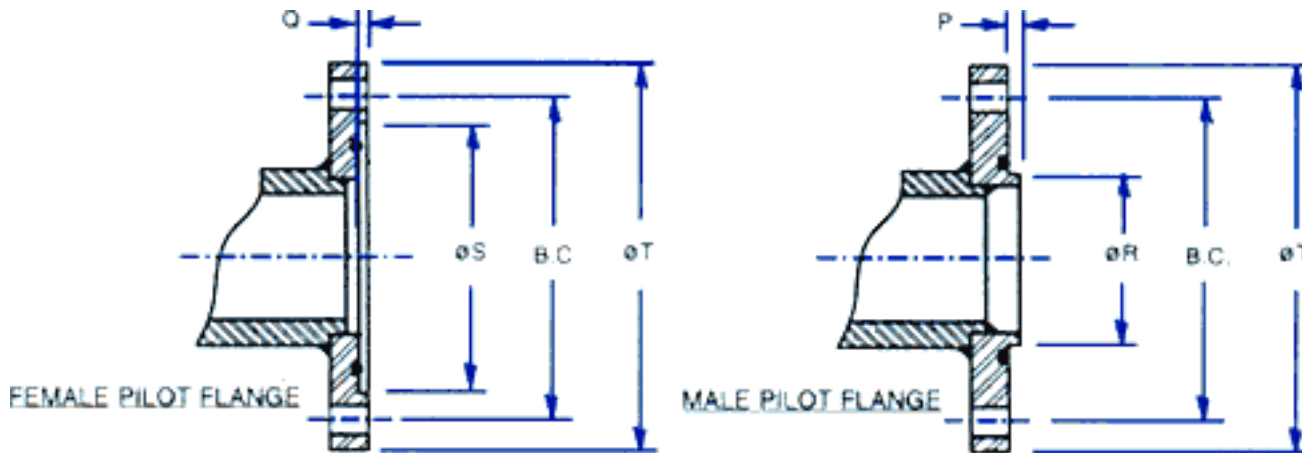
Duo-Flow Fixed Pipe



Union Size & "A" Thd. NPT	Duo-Flow Part Number	B Thread NPT	C	D	E	G	H	L	"U" Thread NPT
2"	BC-60041-32-04	1"	3.25" (83)	12.19" (310)	9.68" (246)	1.63" (41)	1.88" (48)	10.84" (275)	1"
2-1/2"	BC-60041-40-04	1-1/2"	4.50" (114)	16.69" (424)	13.11" (333)	2.13" (54)	2.44" (62)	13.69" (348)	1-1/2"
3"	BC-60042-48-04	2"	4.50" (114)	16.69" (424)	13.11" (333)	2.13" (54)	2.44" (62)	16.61" (422)	2"
4"	BC-60042-64-04	2-1/2"	5.25" (133)	20.00" (508)	15.56" (395)	2.94" (75)	3.56" (90)	17.00" (432)	2-1/2"

*Denotes dimensions listed on Mono-Flow chart.

Flange Information



Union Size	P	Q	\bar{R} $\pm .001$ ($\pm .025$)	\bar{S} $\pm .001$ ($\pm .025$)	\bar{T}	Bolt Circle Dia.	No. of Holes	Dia. of Holes
2"		.25" (6.4)		8.316" (211.226)	9.00" (229)	6.375" (162)	4	6.87" (17.5)
2-1/2"		.25" (6.4)		8.316" (211.226)	9.00" (229)	6.375" (162)	8	6.87" (17.5)
3"	.25" (6.4)		4.003" (101.676)		9.00" (229)	7.563" (192)	6	6.87" (17.5)
4"	.30" (7.6)		4.748" (120.599)		10.88" (276)	9.00" (229)	6	8.12" (20.0)

Special Flanges available on request.