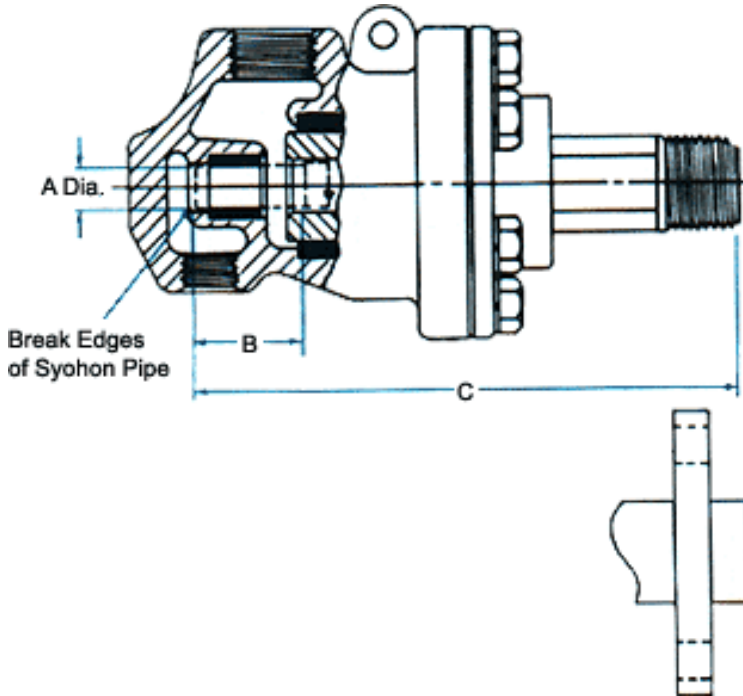


# TYPE CR AND CRF

The BARCO CR (threaded) and CRF (flanged) Rotary Joints are designed to be used with rotating syphon in water or other circulating service. The rotating syphon pipe is retained by a special bearing (in place of a threaded stationary syphon connection), which is independent of the seal. When used in circulating liquid service with relatively equal pressure in both inlet and outlet passages, a small amount of "cross circuit" leakage between the passages must be permissible. Syphon pipes are not furnished, but must be machined to dimensions given in the table below. Pressure and temperature ratings are equivalent to those given for Type C and CF.



Joint Size	Type CR				Type CRF			Syphon Pipe Size	A dia.* Syphon pipe	"B" Length	Free flow area around syphon (sq. in.)	Thread End "C"	Flanged End "C"
	Joint Trim	Assembly Numbers		Wt. (in lbs.)	Joint Trim	Assembly Numbers	Wt. (in lbs.)						
		Left Hand	Right Hand										
1/2	Ferrous	BC54205-08-51	BC54205-08-50	3.5	-	-	-	1/8	.371/ .372	1-1/8	.068	5.19	-
	Bronze	BC54206-08-51	BC54206-08-50	3.5									
3/4	Ferrous	BC54205-12-51	BC54205-12-50	4.5	-	-	-	1/4	.496/ .497	1-1/8	.213	5.25	-
	Bronze	BC54206-12-51	BC54206-12-50	4.5									
1	Ferrous	BC54205-16-51	BC54205-16-50	5.5	Ferrous	BC54205-16-60	6.5	3/8	.621/ .622	1-1/4	.427	6.18	6.00
	Bronze	BC54206-16-51	BC54206-16-50	5.5	Bronze	BC54206-16-60	6.5		6.74				
1-1/4	Ferrous	BC54205-20-51	BC54205-20-50	12	Ferrous	BC54205-20-60	13	1/2	.808/ .810	1-1/2	.673	7.25	6.81
	Bronze	BC54206-20-51	BC54206-20-50	12	Bronze	BC54206-20-60	13		7.75				
1-1/2	Ferrous	BC54205-24-51	BC54205-24-50	15	Ferrous	BC54205-24-60	16.5	3/4	.995/ .997	1-1/2	.901	7.75	8.13
	Bronze	BC54206-24-51	BC54206-24-50	15	Bronze	BC54206-24-60	16.5						
2	Ferrous	BC54205-32-51	BC54205-32-50	26	Ferrous	BC54205-32-60	29	1	1.245/ 1.247	2	1.784	9.12	9.59
	Bronze	BC54206-32-51	BC54206-32-50	26	Bronze	BC54206-32-60	29						
2-1/2	Ferrous	BC54205-40-51	BC54205-40-50	35	Ferrous	BC54205-40-60	37	1-1/4	1.495/ 1.497	2-1/4	2.745	10.62	10.17
	Bronze	BC54206-40-51	BC54206-40-50	35	Bronze	BC54206-40-60	37						
3	Ferrous	BC54205-48-51	BC54205-48-50	44	Ferrous	BC54205-48-60	50	1-1/2	1.745/ 1.747	2-1/4	4.234	11.31	10.75
	Bronze	BC54206-48-51	BC54206-48-50	44	Bronze	BC54206-48-60	50						

\* Note: This diameter to be machined smooth (16-32 RMS) Joints are available with JIS and /or BSP threads on sleeve.