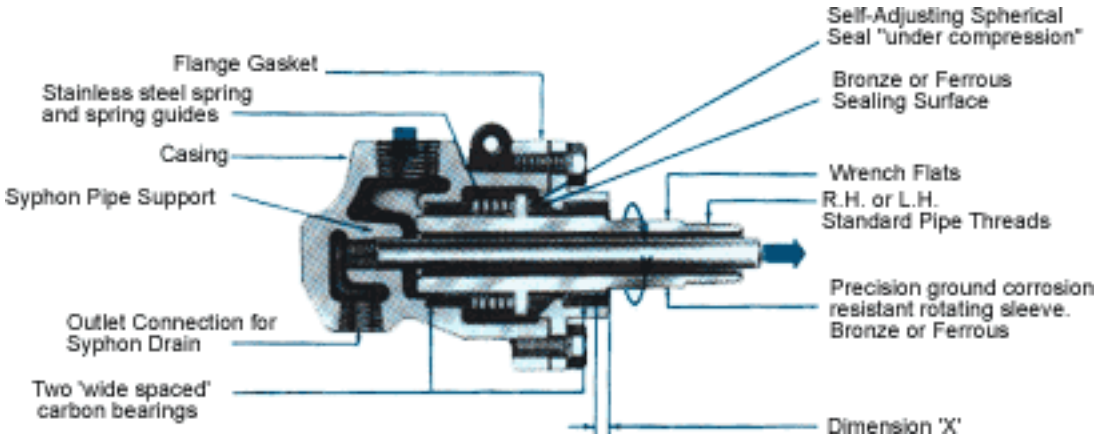
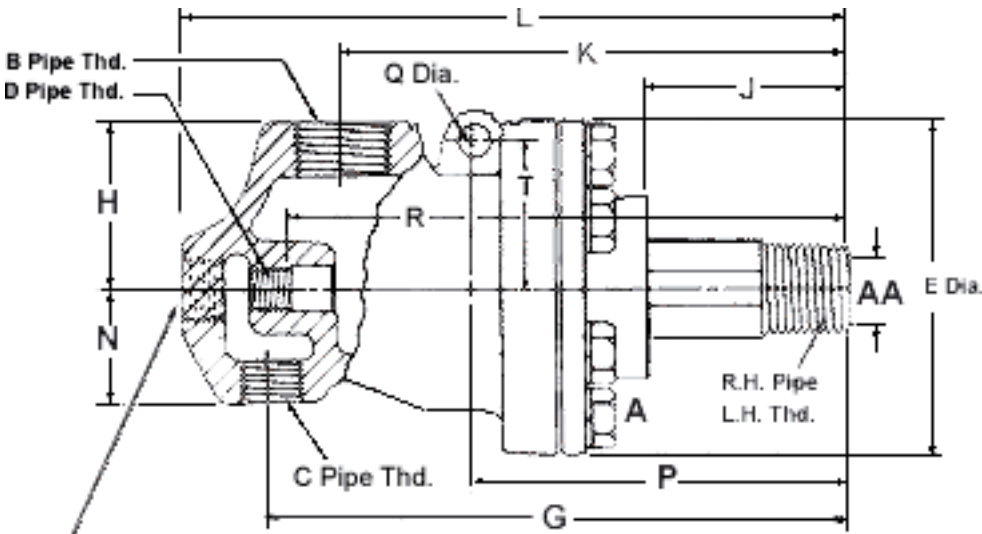


TYPE C AND CS



Type C and CS Rotary Joints available in eight sizes, are ideal for a wide range of applications using steam, water, oil, (for hot oil/therminol applications, see the hot oil page for details) or gas, over a wide temperature range up to 406° F (208° C). These joints feature an iron casing, bronze or ferrous sleeve and end cap, stainless steel spring and spring guides, self-adjusting spherical seal "under compression", wrench flats, R.H. or L.H. Standard Pipe Threads, precision ground corrosion resistant rotating sleeve. Bronze or Ferrous, and two wide spaced carbon bearings.



The high density carbon seal under compression and wide spread bearing surfaces assure exceptionally long service life without lubrication. A key maintenance feature is the external seal wear indicator. Type CS is for single flow applications only.



S Connection
 This end is available drilled and tapped.
 Same size as C Pipe Thd. See the suffix code on the How to Order page.

Joint Size	 Type C Basic Ass'y No.	 Type CS Basic Ass'y No.	Joint Trim	Working Pressure (psi)		Pipe Threads*				
				Cold	Saturated Steam	A&B	C	D Syphon Thd. Integral	D Syphon Thd. w /Bush.	AA Pipe ID
1/2"	BC54000	BC54100	Ferrous	500	250	1/2"	1/4"	1/8"	-	.50
	BC54065	BC54165	Bronze	300	125					
3/4"	BC54000	BC54100	Ferrous	500	250	3/4"	1/2"	1/4"	1/8"	.75 .69
	BC54065	BC54165	Bronze	300	125					
1"	BC54000	BC54100	Ferrous	500	250	1"	1/2"	3/8"	1/4"	1.00 .94
	BC54065	BC54165	Bronze	300	125					
1-1/4"	BC54000	BC54100	Ferrous	500	250	1-1/4"	3/4"	1/2"	3/8"	1.25
	BC54065	BC54165	Bronze	300	125					
1-1/2"	BC54000	BC54100	Ferrous	500	250	1-1/2"	3/4"	3/4"	1/2"	1.50
	BC54065	BC54165	Bronze	300	125					
2"	BC54000	BC54100	Ferrous	400	225	2"	1-1/4"	3/4"	1/2"	1.88 1.81
	BC54065	BC54165	Bronze	300	125					
2-1/2"	BC54000	BC54100	Ferrous	400	225	2-1/2"	1-1/4"	1"	3/4"	2.38 2.18
	BC54065	BC54165	Bronze	300	125					
3"	BC54000	BC54100	Ferrous	400	225	3"	1-1/2"	1-1/2"	1"	2.88 2.86
	BC54065	BC54165	Bronze	300	125					

Joint Size	E	G	H	J	K	L(C)	N	P	Q Hole Size	Torque Rod OD max	R	S Conn	T	X	Weight lbs
1/2"	3.00	5.37	1.62	1.73	4.56	5.87	1.16	2.41	.50	.38	4.81	1/4	2.00	.19	3 1/2
3/4"	3.38	5.19	1.75	1.73	4.56	6.19	1.25	2.41	.50	.38	4.87	1/4	2.19	.19	5
1"	3.62	5.96	2.06	2.08	5.21	7.03	1.25	4.04	.50	.38	5.65	1/2	2.31	.25	6
1-1/4"	4.38	7.01	2.19	1.96	6.70	8.62	1.78	4.40	.62	.50	6.63	3/4	2.88	.25	13
1-1/2"	4.75	7.50	2.44	2.20	7.06	9.06	2.06	4.75	.62	.50	7.00	3/4	3.00	.25	15
2"	6.00	8.65	2.75	2.29	8.09	10.65	2.56	5.03	.62	.50	8.09	1-1/4	2.75	.31	26
2-1/2"	6.75	10.15	3.00	2.99	9.76	12.45	2.50	6.33	.75	.62	9.58	1-1/4	3.06	.25	33
3"	7.88	10.88	3.62	3.14	10.69	13.06	2.88	6.62	.94	.75	10.37	1-1/2	3.62	.25	45
For Syphon Use ... All joints equipped for use with syphon pipe are furnished with "D" connection for large size syphon - a bushing is shipped with each joint, 1" through 3" sizes for reducing the "D" connection for small size syphon if required. Installation instructions are included with each bushing. Syphon pipes are not included.										* Joints also available with JIS and/or BSP threads on sleeve. All dimensions in inches.					

Bronze Trim Construction

Bronze sleeve and end cap, with iron casting for water, brine, and low pressure steam are available.

Ferrous Trim Construction

Recommended for higher pressure steam to 250 psi (17.5 Kg/cm²) and hot oil service.

Preventive Maintenance

By measuring dimension 'X' (from step on sleeve to end of cap) and referring to the dimension table, visual inspection periodically can determine when seals should be replaced.

Important

For cooling applications on rubber calender and mill service:

The supply line should be installed in the smaller rotary joint port with the return or discharge line installed in the larger port. This is necessary to maintain proper temperature conditions.